

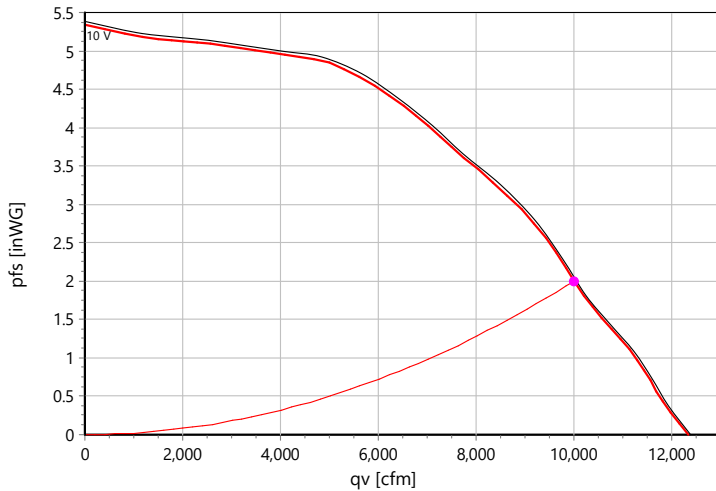


Type: **GKHM 630-CIG.180.6NA IE Gen3+**

Art.-No.: N88-63601



Curve:



p: 1.15 kg/m³; Data @ 400 V

Operating Point:

q _v	10000	cfm
p _{fs}	2	inWG
p _{fd}	0.4	inWG
η _{ed,fs}	55	%
η _{ed,tot}	63	%
P _{ed}	4.32	kW
I	6.6	A
n	1573	r/min
L _{WA A,OUT}	93	dB(A)
U _c	9.5	V
v	38.1	ft/s
SFP	916	Ws/m ³
FEI	1.3	
t _{R,OP}	49	°C

ErP-Data:

(EU) Nr. 327/2011	(Lot11)	
q _v	7023	cfm
p _{fs}	4.07	inWG
η _{ed,fs}	69	%
P _{ed}	5.11	kW
n	1580	r/min
N	72	
v	26.8	ft/s

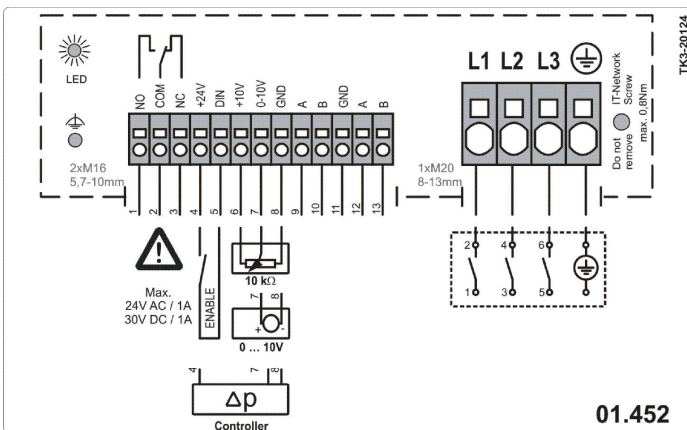
Nominal Data:

U [V]	f [Hz]	Data @ [V]	P _{ed} [kW]	I _N [A]	n _N [r/min]	t _R [°C]	k ₁₀ [m ² /h]	Eff.-Rating	IP	m [kg]
3~380-480	50/60	400	5.1	7.88	1580	-25 .. +40	287	IE4	IP54	86

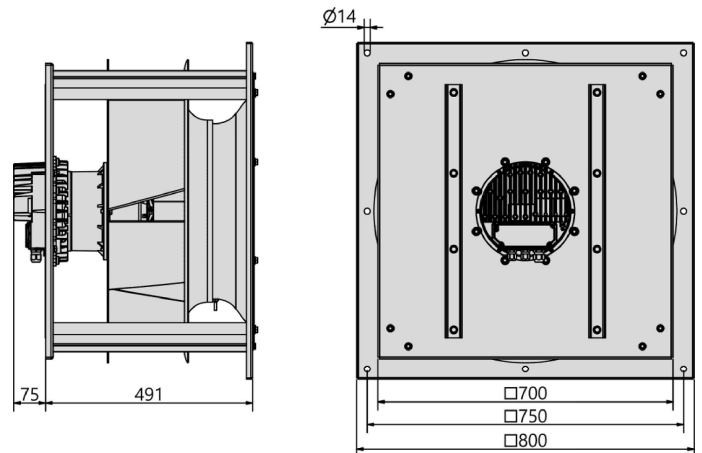
Sound Data:

Frequency	Σ	63Hz	125Hz	250Hz	500Hz	1kHz	2kHz	4kHz	8kHz	Distances	1 m	4 m
L _{wA(A,in)} [dB(A)]	87	60	77	80	80	80	79	78	70	L _{pA(A,in)} [dB(A)]	80	69
L _{wA(A,out)} [dB(A)]	93	58	82	85	87	87	85	82	76	L _{pA(A,out)} [dB(A)]	86	75

Wiring Diagram:



drawing:



Data @ 460V: 5,1 kW; 7,0 A; 1580 1/min